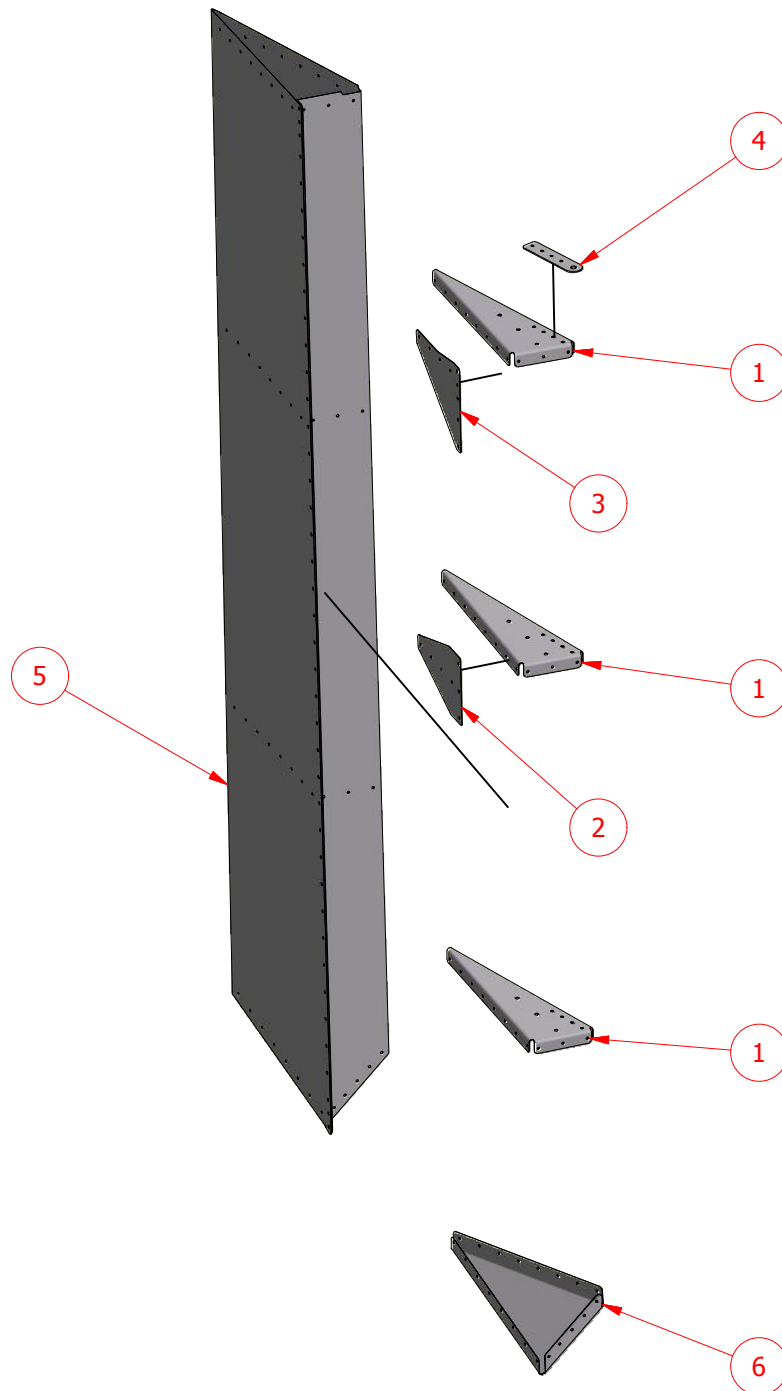


ELENCO PARTI

| PART | QTÀ | S / N | DESCRIPTION |
|------|-----|-----------|------------------------|
| 1 | 1 | 6-PH-1-1L | Left aileron skin |
| 2 | 3 | 6-W-2-2L | Left aileron # 1-2-3 |
| 3 | 1 | 6-W-2-4L | Left aileron rib # 6 |
| 4 | 1 | 6-W-2-1 | Aileron horn |
| 5 | 1 | 6-W-2-6 | Aileron rib # 1 gusset |
| 6 | 1 | 6-W-2-5 | Aileron rib # 3 gusset |



PART LIST

| PART | QTY | S / N | DESCRIPTION |
|------|-----|-----------|------------------------|
| 1 | 3 | 6-W-2-2R | Right aileron # 1-2-3 |
| 2 | 1 | 6-W-2-5 | Aileron rib # 3 gusset |
| 3 | 1 | 6-W-2-6 | Aileron rib # 1 gusset |
| 4 | 1 | 6-W-2-1 | Aileron horn |
| 5 | 1 | 6-PH-1-1R | Right aileron skin |
| 6 | 1 | 6-W-2-4R | Right aileron rib # 6 |